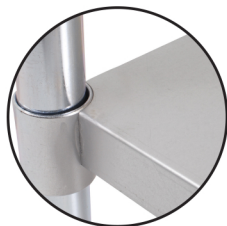


18 GA. STAINLESS STEEL WORK TABLES WITH POLISHED TABLETOP

Darling



Fully Adjustable Leg Collar

Item #:	_____	Qty #:	_____
Model #:	_____		
Project #:	_____		

L	24" WIDTH			30" WIDTH		
	Model	Approx. Wt.	Approx. Cu. Ft.	Model	Approx. Wt.	Approx. Cu. Ft.
24"	6054095	33 lbs.	2	—	—	—
30"	6054096	38 lbs.	2	—	—	—
36"	6054097	41 lbs.	2	6054099	51 lbs.	3
48"	6054098	48 lbs.	3	6054100	60 lbs.	4
60"	6054137	56 lbs.	4	6054139	68 lbs.	5
72"	6054138	62 lbs.	4	6054101	78 lbs.	5

FEATURES:

Top is furnished with 1 5/8" sanitary bull-nose rim on front; and square ends.

Two die formed hat channels are attached to underside of work table top to reinforce and maintain a level working surface.

Leg Collar at undershelf corner secures leg shelf to legs and is fully adjustable.

CONSTRUCTION:

All TIG welded. Exposed weld areas polished to match adjacent surface.

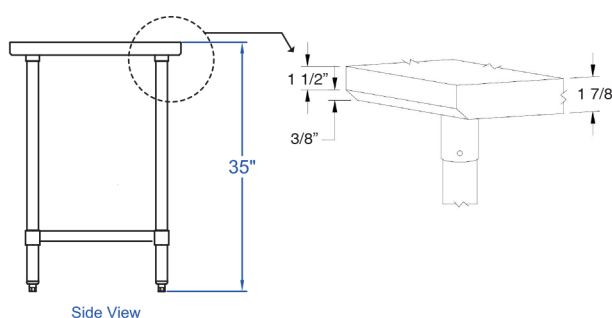
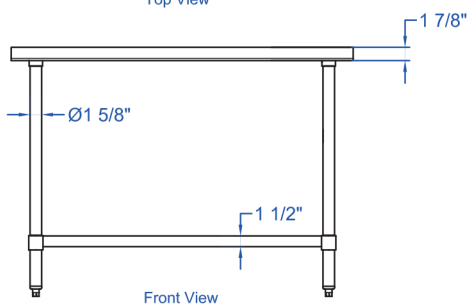
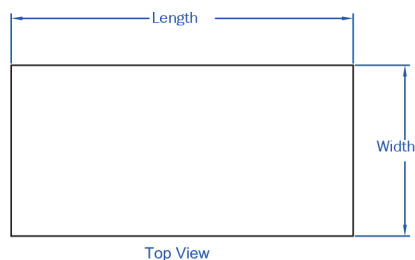
Top is sound deadened.

Die formed galvanized hat channels are secured to top by means of structural adhesive and weld studs.

Gussets welded to hat channels.

DETAILS and SPECIFICATIONS

ALL DIMENSIONS ARE TYPICAL



MATERIAL:

TOP: 18 Gauge Stainless Steel Type 430 Series

SHELF: 18 Gauge Galvanized Steel with Gussets

LEGS: 1 5/8" Diameter Tubular Galvanized Steel